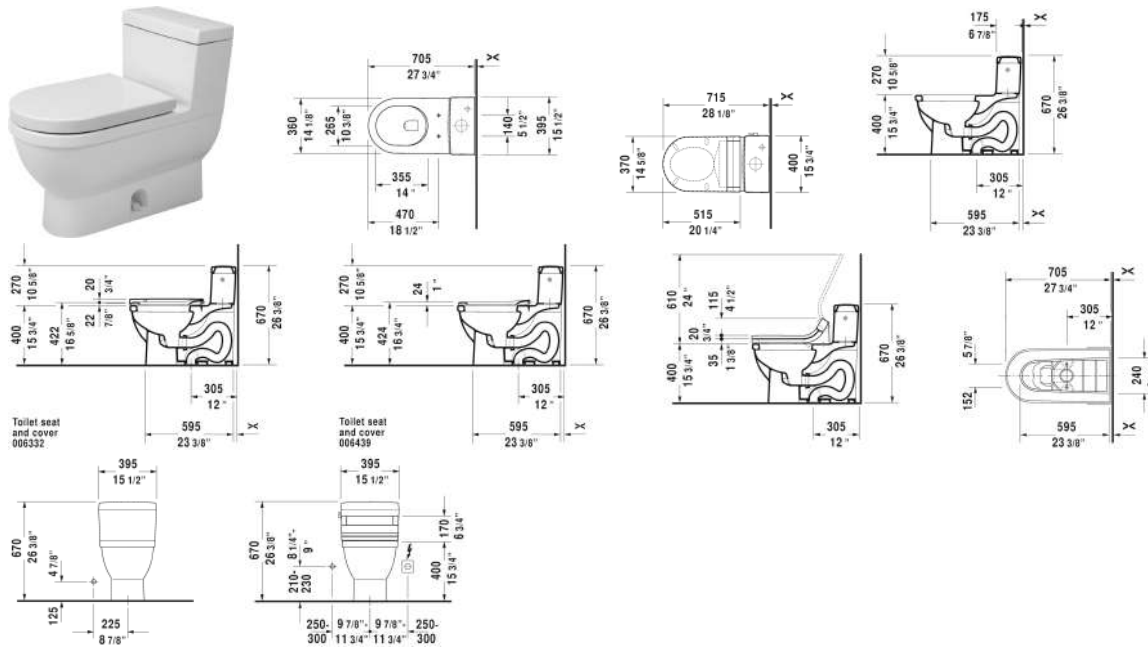


Starck 3 One-Piece toilet # 212001..01

| < 14 5/8" Inch > |



| One-Piece toilet | Dimension | Weight | Order number |
|---|------------------------|----------|--------------|
| suitable for SensoWash Starck, syphonic, 12" rough-in, with Single Flush mechanism, with side lever, 3" flapper valve, vertical outlet, cUPC listed, 1.28 gpf | | | |
| Colors | | | |
| 00 White 20 HygieneGlaze (an antibacterial ceramic glaze that provides almost indefinite effectiveness) | | | |
| Variant | | | |
| • | 14 5/8" x 28 1/8" Inch | 114.9 lb | 212001..01 |
| Infobox | | | |
| Passende SensoWash Dusch-WC-Sitze siehe Matrix auf Seite xxx | | | |
| Mounting set for One-Piece and Two-Piece toilets, outlet 3/8" - male thread, wall connection 1/2" - female thread, 1/2", North American version | 17 3/4" Inch | 1.1 lb | 001417 |
| Suitable products | | | |
| Toilet seat and cover elongated, hinges stainless steel, removable, with slow close, | | | 006339 |

Starck 3 One-Piece toilet # 212001..01

|< 14 5/8" Inch >|

| | | |
|--|-------------------------------|---------------|
| <p>SensoWash Starck shower-toilet seat for Starck 2, Starck 3 and Darling New* remote control included, power actuated lid and seat, rear-, front and oscillating wash, individual adjustment of water-, air- and seat surface temperature as well as nozzle position and jet strength, self-cleaning wand, 2 individually programmable user profiles, night light, Quick release: easy seat unit removal and attachment, on / off-button, cIAPM0@ELECTRICAL, 14 5/8" x 20 1/4" Inch</p> | <p>14 5/8" x 20 1/4" Inch</p> | <p>610000</p> |
| <p>Toilet seat ring elongated, open front, hinges plastic, without slow close,</p> | | <p>006431</p> |
| <p>Toilet seat ring elongated, open front, hinges plastic, with slow close,</p> | | <p>006439</p> |
| <p>Toilet seat and cover elongated, hinges stainless steel, without slow close,</p> | | <p>006332</p> |

All drawings contain the necessary measurements which are subject to standard tolerances. They are stated in inch & mm and are non-binding. Exact measurements, in particular for customized installation scenarios, can only be taken from the finished ceramic piece.